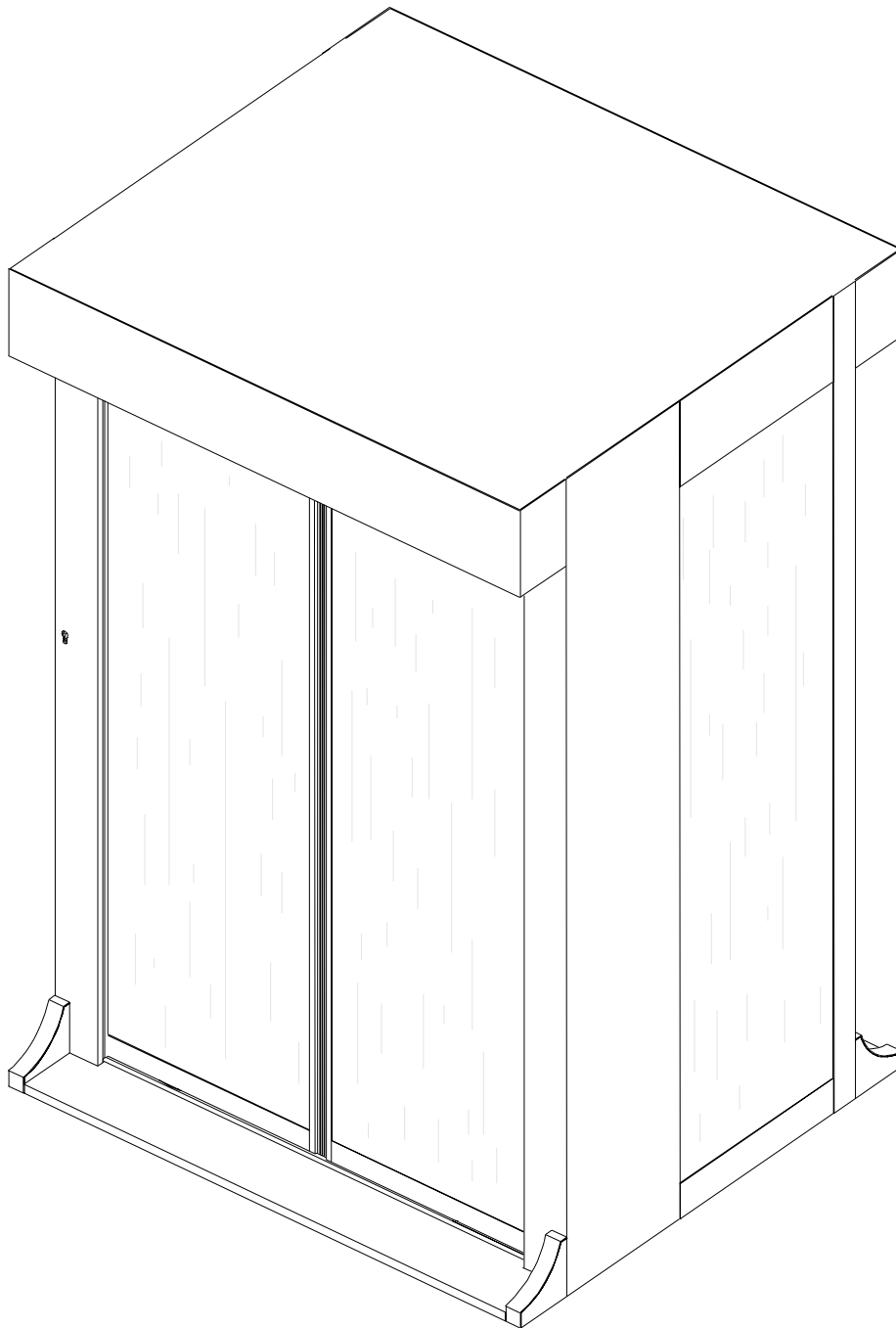


MAXI 1200



SAIMA SICUREZZA S.p.A.

Indicatore 60/G - 52100 AREZZO - ITALY

Tel. +39 0575 9291 Telefax +39 0575987097

Telex 574074 SAIMA I

E-Mail: sicurezzaservice@saimanews.com

<http://www.saimanews.com>

Saima Sicurezza S.p.A. is a company belonging to the Saima Group born in 1977. Since 1997 the company has obtained the UNI EN ISO 9001 certification.

Thank you for trusting in our company and buying our products. We would like to remind you that this handbook is an integral part of our ANTI-ROBBERY BOOTH and for this reason it is necessary to follow its instructions. If the system has not been set, please examine the chapter about "System installation".

This handbook contains important information about safety and some information about the maintenance for users.

No part of this handbook can be reproduced in any form, electronic or mechanic system, without SAIMA SICUREZZA S.p.A. written authorization. Drawings and descriptions of this handbook are subject to changes or modifications without previous notice.

Model

Working specifications

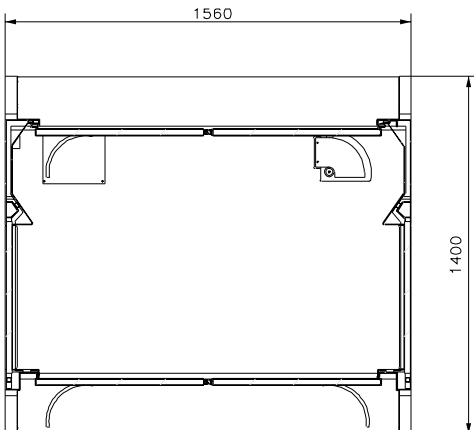
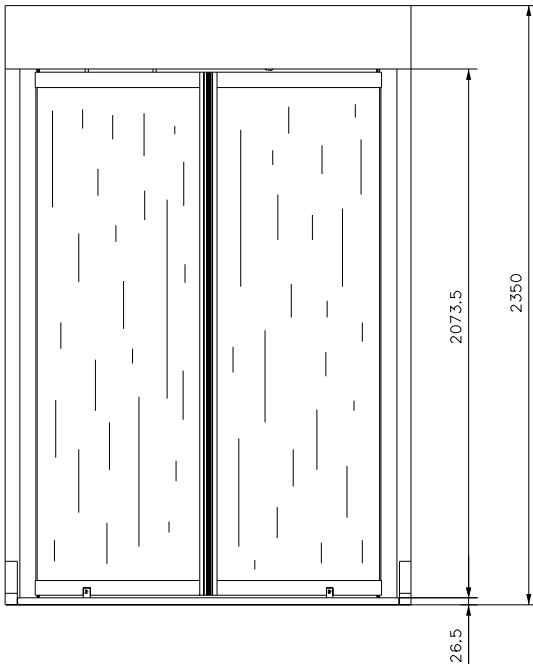
Serial number

Saima Sicurezza Spa Production Division - Indicatore, Arezzo.

Date

Responsible for the testing

TECHNICAL SPECIFICATIONS



Electric system

<u>Power supply voltage :</u>	220± 10%V - 50Hz
<u>Maximum absorbed power :</u>	0,2 KW
<u>Batteries :</u>	n°2- 2Ah 12V airtight lead in series
<u>Inputs and outputs :</u>	20 + 16
<u>Lines :</u>	n°3 RS232 (+ n°1 RS232 Reserved) n°2 RS 485
<u>Motors :</u>	n° 2 - 24 VDC - 100W
<u>Management logic :</u>	planning by a multiprocessor unit
<u>Autonomy without net:</u>	60 minutes with 200 passagges
<u>Autonomy without net, with M.D. on:</u>	25 minutes with 200 passagges

Structure

<u>Frame:</u>	made of tubes of 30/10 mm press-bent steel sheet
<u>Plugging structures:</u>	Stratified glass (6+8+6 PVB 0.76 x 2)
<u>Varnishing:</u>	Polyurethane with epoxy base thin embossed

Performances

<u>Reset type:</u>	Automatic
<u>Working temperature:</u>	-10 °C / +55°C

Dimensions and weight

<u>Dimensions:</u>	Height	2350 mm
	Length	1400 mm
	Width	1560 mm
<u>Weight :</u>	880 Kg	